


PRODUCT SHEET

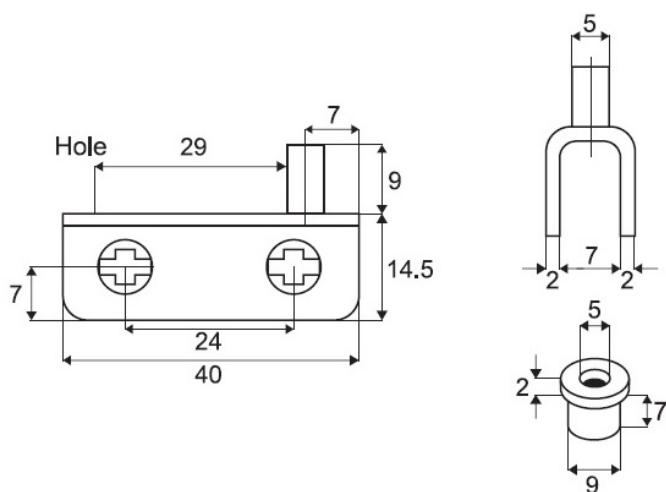
Description:

Glass Pivot Hinge No. 11.561, 9mm, Black Anodized, L+R, 40x15mm F/4-5mm Glass, Metal Screw
W/Plastic Tip, $\varnothing 9 \times 7$ mm Bushing

Item number:

15.06.095-0

Units	Box	Carton	HS Code	Barcode
Pair	50	300	8302100090	 5704866469388



SISO A/S

Mileparken 11
DK-2740 Skovlunde
Denmark
VAT: DK 24786013

Phone +45 45 830 900

www.siso.dk
siso@siso.dk

Danske Bank
Nytorv Branch
Copenhagen
SWIFT: DABADKKK

Account no.
4180 3112 112936
IBAN Account
DK7230003112112936